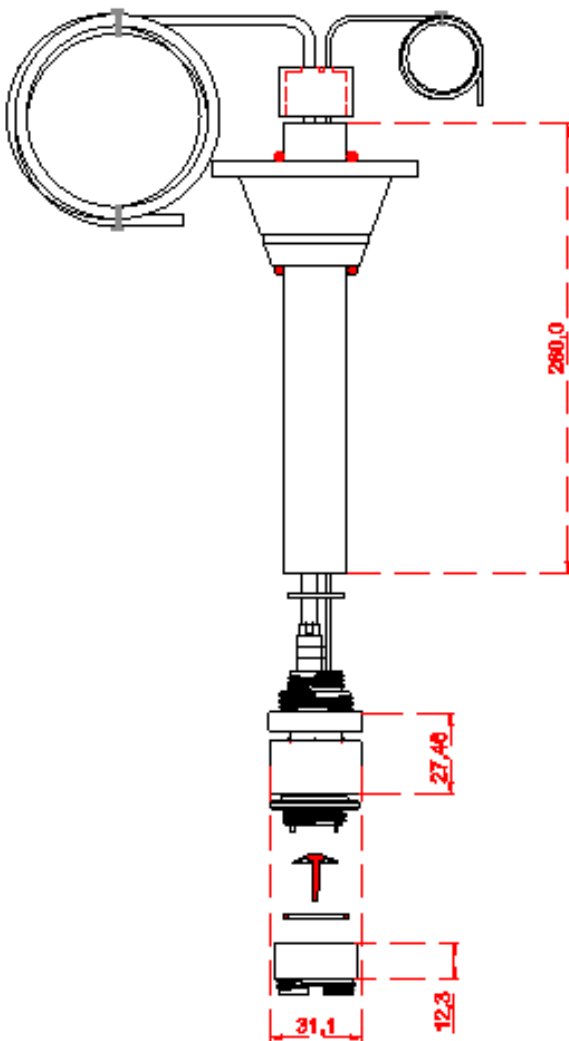




The device consists of a modular support pipe, an umbrella foot valve, a foot filter, a level switch with a float, a height-adjustable conical cap for the canister that allows the user to place the device at the desired height in the tank, providing a pre warning to the dosing device that chemical is about to run out.

The electrical connection is made through a PVC 2 poles sheathed wire already connected to the probe and that the user can connect directly to his control device.

DIMENSIONAL DRAWING



Materials	
Pipes and body	PVC, grey
Hose barb connector	PP + 30% GF
Screw cap	NBR – 70 sh, with adapter for the canister
Float Body	PP
Non Return Valve	Umbrella type, with EPDM shutter
Dimensions	
Suction tube	ID 4 x OD 6 mm – 2 mt
Screw cap	2x21 mm
Cable length	3m
Max. body diameter	31mm ±0.5
Total length	~300 mm
Electrical specifications	
Low level contact type	N.O. standard
Mechanical life	10 ⁶
Switching Capacity	Max 40 VA
Switching Voltage	Max 230 VAC/DC
Operating conditions	
Temperature	0 to +60 °C

SEKO spa has taken all reasonable measures about the accuracy of this translation, but regrets that no responsibility can be accepted for any error, omission or inaccuracy. In case of doubt or dispute, as provided by the European Directive, only the original language text is valid.